

# FULL SIZE HOLIDAY CRIB

Product # 86

- READ ALL INSTRUCTIONS BEFORE ASSEMBLY AND USE OF CRIB. BE SURE TO FOLLOW INSTRUCTIONS CAREFULLY.
- DO STEP 1 BEFORE UNFOLDING CRIB.
- NO TOOLS ARE REQUIRED FOR ASSEMBLY.
- BE SURE TO CHECK THAT ALL PARTS LISTED BELOW ARE INCLUDED BEFORE USING CRIB.

- (A) TWO HEADBOARD HINGE COVERS
- (B) ONE MATTRESS SUPPORT PANEL
- (C) FOUR CASTER INSERTS (PRE-INSTALLED)
- (D) FOUR CASTERS
- (E) EIGHT SUPPORT WIRES (PRE-INSTALLED)
- (F) FOUR FOAM BUMPERS

STEP 1: Remove MATTRESS SUPPORT PANEL (B) from folded crib by sliding it out from either end as shown in figure 1.

STEP 2: Unfold the crib.

STEP 3: Place MATTRESS SUPPORT PANEL (B) onto 8 SUPPORT WIRES (E), (figure 2) and secure around side frame with two attached straps provided (Figure 4).

STEP 4: Push snap button in and slide HEADBOARD HINGE COVERS (A) to the center of crib ends. Make sure that the HEADBOARD HINGE COVERS(A) are located securely between both snap buttons before each use. (Fig. 2)

STEP 5: (Optional) Place one FOAM BUMPER (G) on each leg before installing CASTERS (E). This is an optional step. The FOAM BUMPERS (G) protect the crib and property from damage. (Figure 3)

STEP 6: Insert CASTERS (E) securely into the ends of crib legs (figure 2).

STEP 7: Install your mattress

To fold crib for storage. Remove mattress, Release straps securing mattress support panel (B) to side of crib (Figure 3) and remove mattress support panel (B) from crib. Push snap button (figure 2) in and slide headboard hinge covers (A) to either side. Fold crib frame inward and store mattress support panel (B) on its edge as shown in figure 1. Store your mattress inside the folded crib by putting the mattress in width wise (figure 1) in the opposite side.

CLEANING: Sponge with warm water and mild soap.

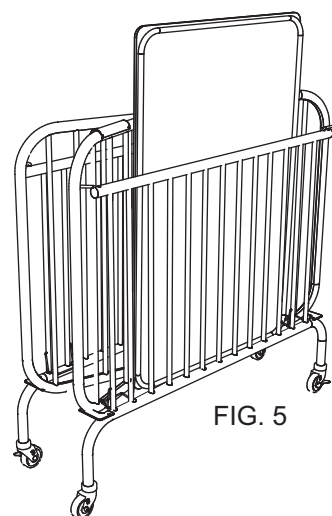
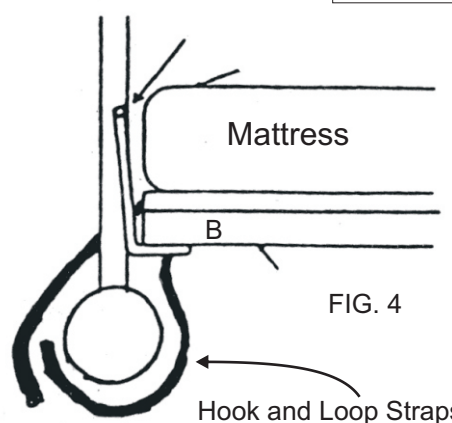
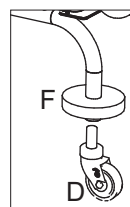
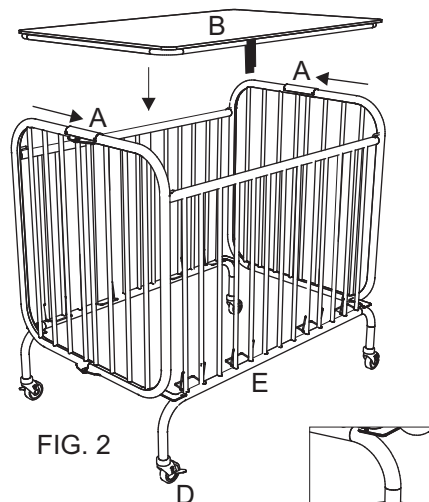
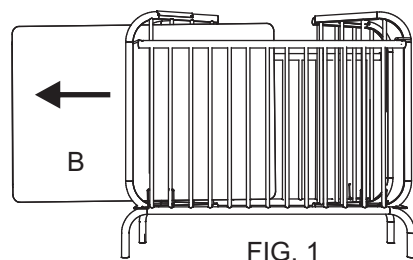
**This crib conforms to applicable regulations promulgated by the Consumer Product Safety Commission.**

**This crib meets new C.P.S.C. 16 CFR 1219 and A.S.T.M. 1169 Standards.**

### Notice

If under normal use of this crib, casters and parts become damaged within one year of purchase they will be replaced at no charge by L.A. Baby. Any casters needed after one year can be purchased from and shipped by L.A. Baby.

Ins\_CS\_86\_070518



# ! WARNINGS

## ! WARNING!

Failure to follow these warnings and instructions could result in serious injury or death. Read all instructions before assembling or using this crib. Keep instructions for future use.

## ! WARNING!

**Infants can suffocate** on soft bedding. **NEVER** add a pillow, comforter, or padding. Never place additional padding under an infant.

- Any mattress used in this crib must be at least 27 1/4" x 51 5/8" with a thickness not exceeding 6". Do not use a water mattress with this crib.
- To reduce the risk of SIDS, pediatricians recommend healthy infants be placed on their back to sleep, unless otherwise advised by your physician.
- Check this product for damaged hardware, loose joints, loose bolts or other fasteners missing parts or sharp edges before and after assembly and frequently during use. Securely tighten loose bolts and other fasteners. **DO NOT** use crib if any parts are missing damaged or broken. Contact "L.A. Baby Juvenile Products", for replacement parts and instructional literature if needed and **DO NOT** substitute parts.
- Check fasteners periodically for tightness **DO NOT** over tighten. This may cause distortion or breakage.

## ! WARNING!

### Strangulation Hazard:

- Infants can suffocate in gaps between crib sides and a mattress that is too small.
- Strings can cause strangulation! **DO NOT** place items with string around a child's neck, such as hood strings or pacifier cords. **DO NOT** suspend strings over a crib or attach string to toys.
- To help prevent strangulation tighten all fasteners. A child can trap parts of the body or clothing on loose fasteners
- **DO NOT** place crib near window where cords from blinds or drapes may strangle a child.

### Fall Hazard

- When child is able to pull to a standing position, set mattress to lowest position and remove bumper pads, large toys and other objects that could serve as steps for climbing out.
- As your child grows, adjust the height of the posture board down so that he/she cannot pull himself/herself out of the crib
- Stop using crib when child begins to climb out or reaches the height of 35 in. (89 cm).

## ! WARNING!

- If refinishing, use a non-toxic finish specified for children's products.
- Child can become entrapped and die when improvised netting or covers are placed on top of crib. **NEVER** add such items to confine child in crib.
- **NEVER** use a water mattress with this crib.
- **NEVER** use plastic shipping bags or other plastic film as mattress covers because, they can cause suffocation.

Follow all Warnings on all products in crib

Date of MFG. \_\_\_\_\_



Juvenile Products  
16039 Loukelton Street  
City of Industry, California 91744  
Toll free customer service: 800-584-3094  
e-mail: customerservice@lababyco.com

**Made in China**

**Caution:** Any mattress used in this crib shall be at least 27 1/4 by 51 5/8 in. with a thickness not exceeding 6 in.